



Hebei Weepou Technology Co., Ltd.

CONTACT US

Add
No. 216, Hongling Road, Honghou Industrial Park, Shishan Town, Nanhai District, Foshan City, Guangdong Province

TEL
+8615284229603

Email
freya@weepou.com

Web
www.weepou.com

Elegance And Innovation



WEEPOU

SERIES OF DOME ROOM
Hebei Weepou Technology Co., Ltd.

Full
HSE



WHERE ELEGANCE
MEETS INNOVATION

About us

COMPANY PROFILE

Hebei Weepou Technology Co., Ltd. is located in No. 216, Hongling Road, Honghou Industrial Park, Shixi Village, Shishan Town, Nanhai District, Foshan City, Guangdong Province and covers an area of 5000 square meters. It has 4 international advanced production lines, and the annual production capacity can reach 4500 sets dome room. Our company has the brand of Full House.



Our company has the brand of Full House. Our company's products are widely used in China and are exported to many countries around the world.



Wide range of applications



Our main products include polycarbonate dome room, aluminum pergola, glamping tent. the products are popular in multiple applications, hotel, restaurant, events, glamping site, resorts, farm etc.



Weepou company has achieved SGS inspection, CE certification, ISO certification Hebei Weepou adheres to the concept of strictly control of quality, innovating product technology and guarantee of after-sales service, constantly forging ahead and providing customers with 100% satisfactory products and services.

Quality & Service



Weepou is willing to join hands with you to move towards to a broader and better tomorrow!



**where elegance
meets innovation**

Hebei Weepou Technology Co., Ltd.
www.weepou.com



Contents

01

POLYCARBONATE DOME ROOM

02 Feature

03

SPECIFICATIONS PRODUCT TYPE

04 Scene Display

05

PRODUCT PARAMETER DETAILS

- 05 2.8M Diameter Dining Room
- 07 3.6M Diameter Dining Room
- 09 4.2M Diameter Dining Room
- 11 4.6M Diameter Dining Room
- 13 5.35M Diameter Dining Room
- 15 6M Diameter Dining Room
- 17 5.95M x 4M Dining Room
- 19 7.05M X 5.15M Dining Room

21

SCENE DISPLAY

23

PRODUCT PARAMETER DETAILS

- 23 3.6M+2.8M Combo Dome
- 25 4.2M+2.8M Combo Dome
- 27 4.6M+2.8M Combo Dome
- 29 5.35M+2.8M Combo Dome
- 31 6M+2.8M Combo Dome

33

PC DOME ROOM INSTALLATION MANUAL



Polycarbonate Dome Room

- ◆ Experience all year-round comfort
- ◆ Suitable for all climate conditions
- ◆ Incredible comfort
- ◆ Whilst submerged in the outdoors
- ◆ Perfect for entertaining



Feature

- ◆ Weather and flame resistance
- ◆ light transmittance
- ◆ Light weight and high wind resistance
- ◆ Wide range of temperature
- ◆ Anti-gelling and sound insulation
- ◆ Impact resistance
- ◆ Temperature range: -40~+120°C

Where Elegance Meets Innovation



Wind resistance & waterproof



sound insulation & noise reduction



Anti-firing



thermal insulation & winter protection

- ◆ Anti ultraviolet
- ◆ Stylish simplicity, combination diversity
- ◆ Aluminum alloy frame, corrosion-resistant
- ◆ Bayer raw materials PC solid sheet
- ◆ Professional customized profiles, easy to assemble
- ◆ durable, long lifetime



Specifications					
Diameter	Ridge Height	Area	Capable	Package Size	Net Weight
2.8	2.7m	6 m ²	2~4	280*220*125	130kg
3.6	2.8m	10.2 m ²	4~6	280*220*125	150kg
4.2	3m	13.84 m ²	8~10	320*220*125	180kg
4.6	3.1m	16.61 m ²	13~15	370*220*130	220kg
5.35	3.2m	22.46 m ²	14~16	405*220*130	300kg
6	3.3m	28.26 m ²	18~20	405*220*130	350kg
5.95*4	3m	20.16 m ²	10~14	320*220*140	220kg
7.05*5.15	3.2m	30.6 m ²	16~18	3.63*2.15*1.35	450kg



Product type



Dining Room



Combo Dome



Combo Dome



Ellipse Room



Scene Display
where elegance meets innovation





2.8M Diameter Dining Room

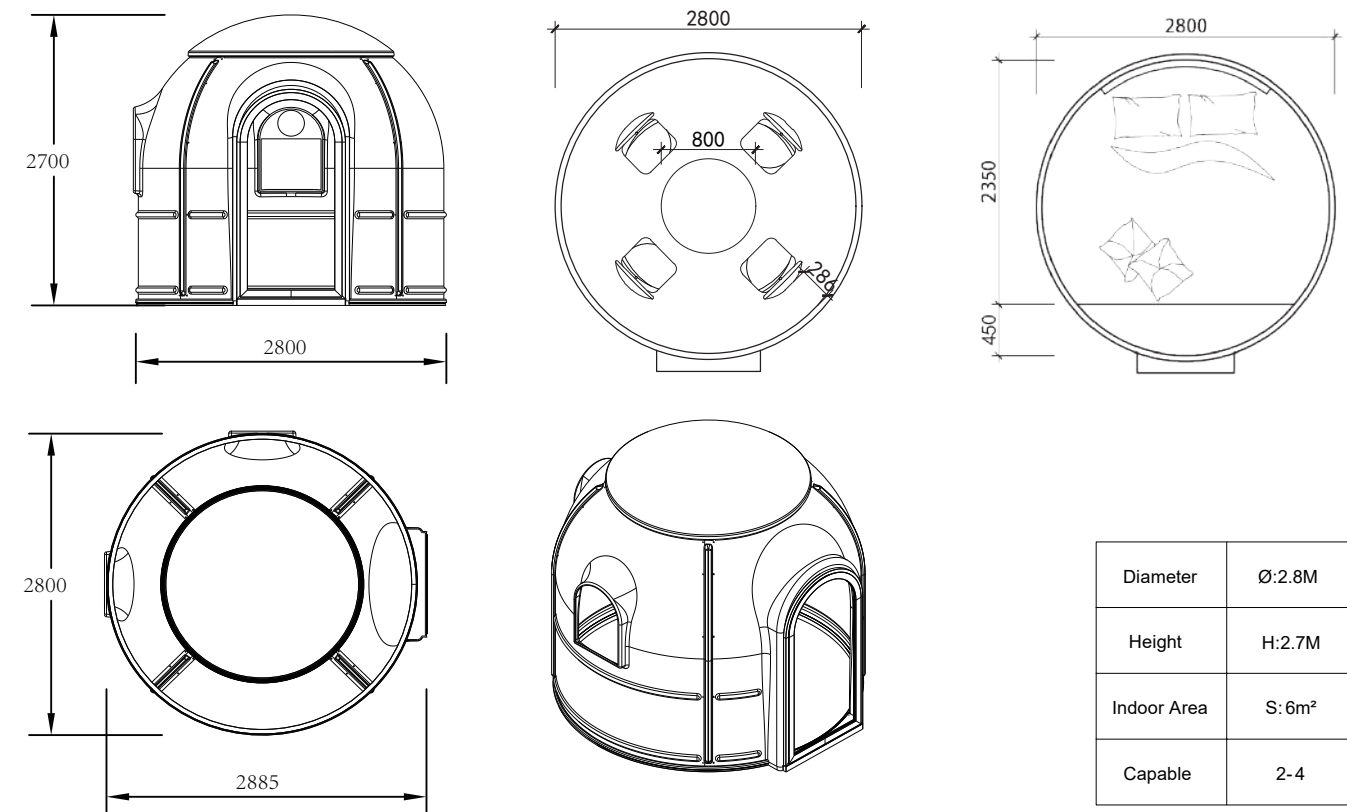
| where elegance meets innovation |

Specifications

Technical Datar		Safety Data	
Diameter	2.8m	Wind Loading	180Km/h
Roof Height	2.7m	Snow Loadingt	40kg/m2
Floor Area	6 m ²	impact strength	850J/m <small>About 200-350 times of common glass</small>

Material	
Basement	Aluminum Alloy
Wall Panelt	Polycarbonate solid sheet
Base Surface	Spray powder high-end and elegant
Panel Surface	UV Coated, 10 years warranty
Certifications	B1(China) flame retardant, CE, ISO9001, SGS

Doors/Windows/Options	
Door	Extra Door with screen
Window	Extra Window with screen
Options	Curtain, Led light strip, solar panel etc



Diameter	Ø:2.8M
Height	H:2.7M
Indoor Area	S: 6m ²
Capable	2-4



3.6M Diameter Dining Room

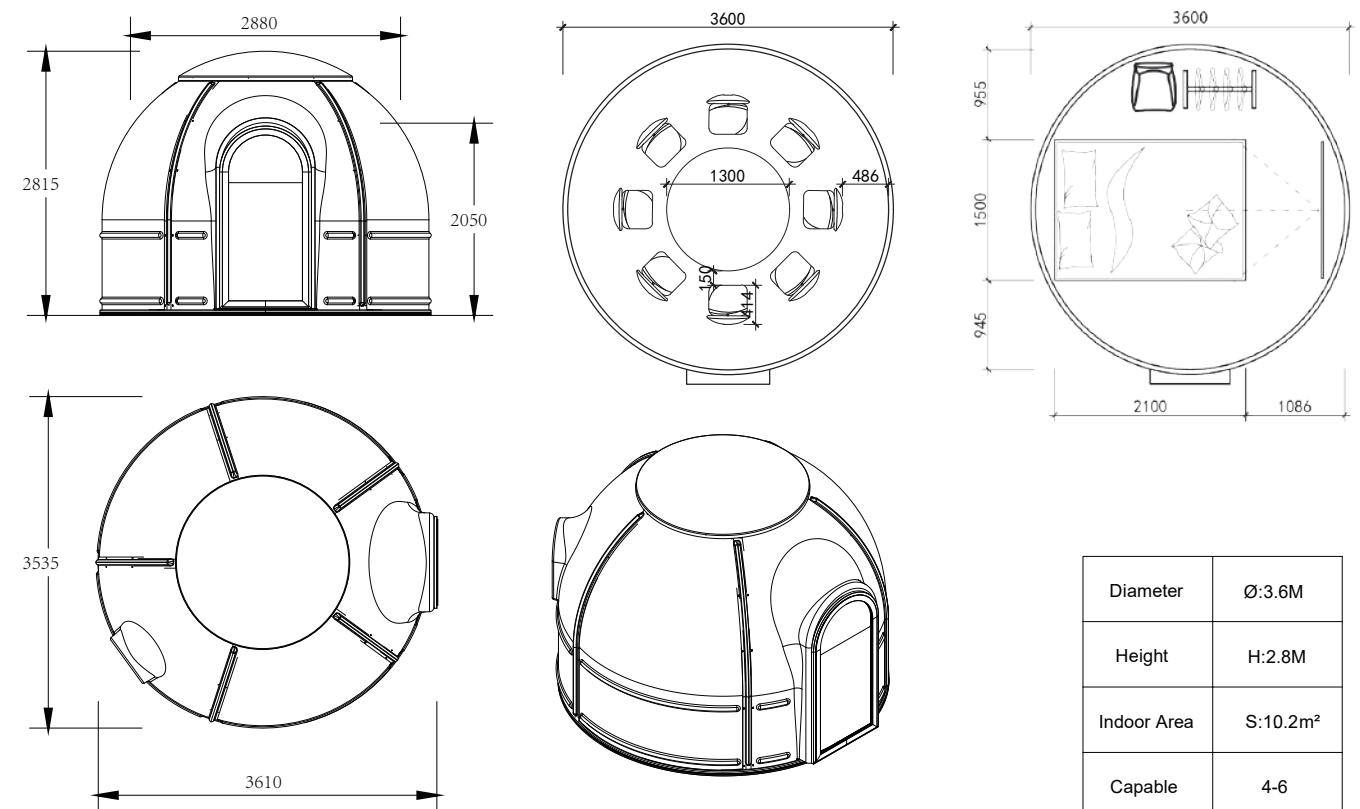
| where elegance meets innovation |

Specifications

Technical Datar		Safety Data	
Diameter	3.6M	Wind Loading	180Km/h
Roof Height	2.8m	Snow Loadingt	40kg/m2
Floor Area	10.2 m ²	impact strength	850J/m <small>About 200-350 times of common glass</small>

Material	
Basement	Aluminum Alloy
Wall Panelt	Polycarbonate solid sheet
Base Surface	Spray powder high-end and elegant
Panel Surface	UV Coated, 10 years warranty
Certifications	B1(China) flame retardant, CE, ISO9001, SGS

Doors/Windows/Options	
Door	Extra Door with screen
Window	Extra Window with screen
Options	Curtain, Led light strip, solar panel etc



Diameter	Ø:3.6M
Height	H:2.8M
Indoor Area	S:10.2m ²
Capable	4-6



4.2M Diameter Dining Room

| where elegance meets innovation |

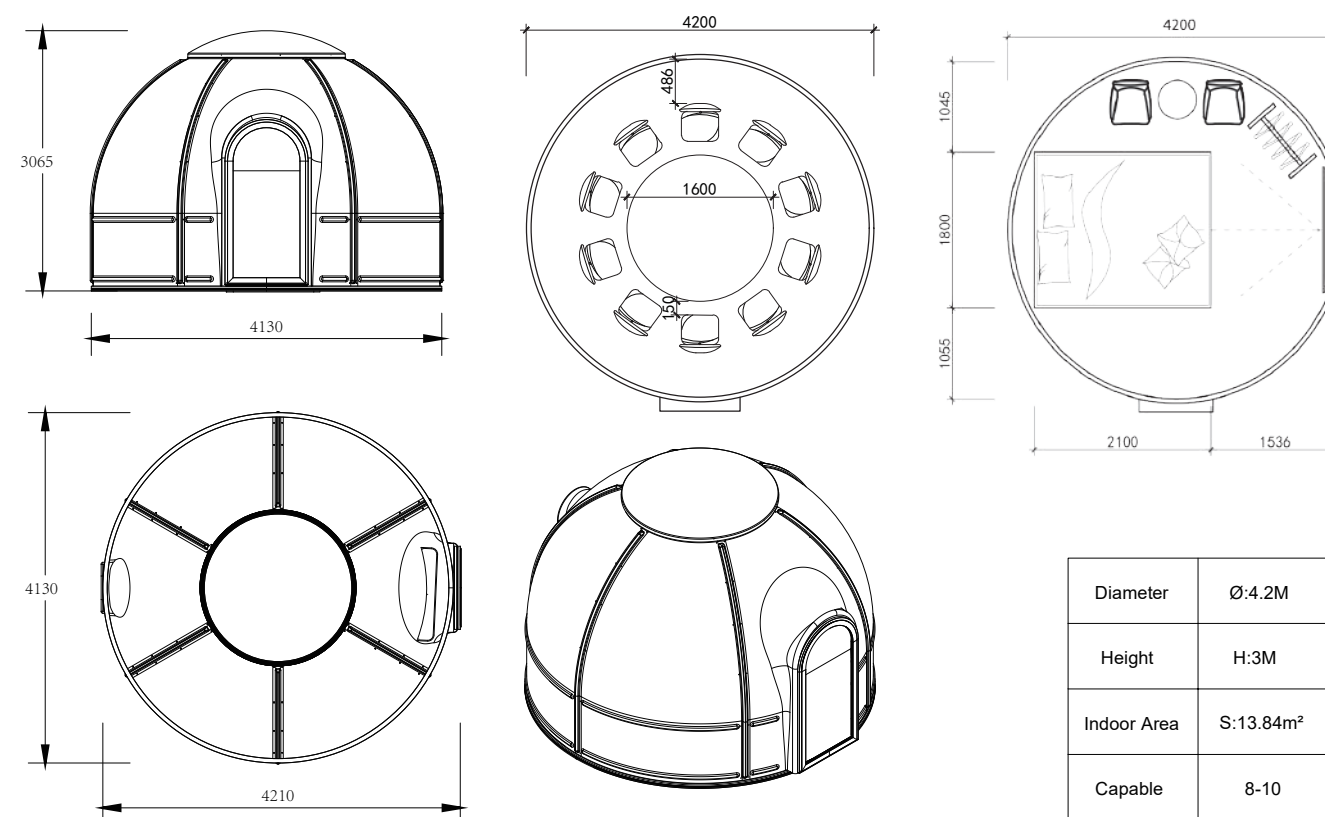
Specifications

Technical Datar	
Diameter	4.2m
Roof Height	3m
Floor Area	13.84 m ²

Safety Data	
Wind Loading	180Km/h
Snow Loadingt	40kg/m2
impact strength	850J/m <small>About 200-350 times of common glass</small>

Material	
Basement	Aluminum Alloy
Wall Panelt	Polycarbonate solid sheet
Base Surface	Spray powder high-end and elegant
Panel Surface	UV Coated, 10 years warranty
Certifications	B1(China) flame retardant, CE, ISO9001, SGS

Doors/Windows/Options	
Door	Extra Door with screen
Window	Extra Window with screen
Options	Curtain, Led light strip, solar panel etc





4.6M Diameter Dining Room

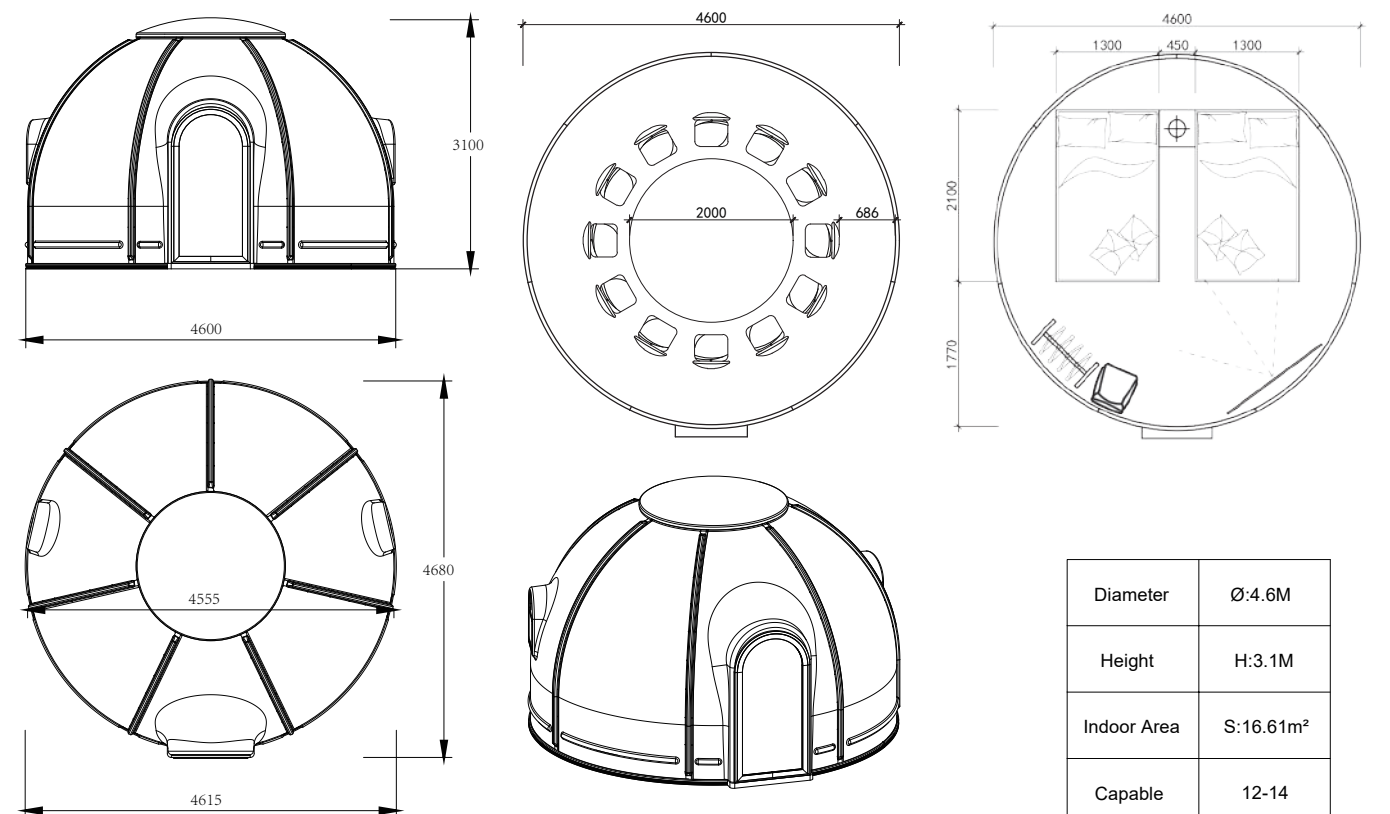
| where elegance meets innovation |

Specifications

Technical Datar		Safety Data	
Diameter	4.6m	Wind Loading	180Km/h
Roof Height	3.1m	Snow Loadingt	40kg/m2
Floor Area	16.61 m ²	impact strength	850J/m <small>About 200-350 times of common glass</small>

Material	
Basement	Aluminum Alloy
Wall Panelt	Polycarbonate solid sheet
Base Surface	Spray powder high-end and elegant
Panel Surface	UV Coated, 10 years warranty
Certifications	B1(China) flame retardant, CE, ISO9001, SGS

Doors/Windows/Options	
Door	Extra Door with screen
Window	Extra Window with screen
Options	Curtain, Led light strip, solar panel etc



Diameter	Ø:4.6M
Height	H:3.1M
Indoor Area	S:16.61m ²
Capable	12-14



5.35M Diameter Dining Room

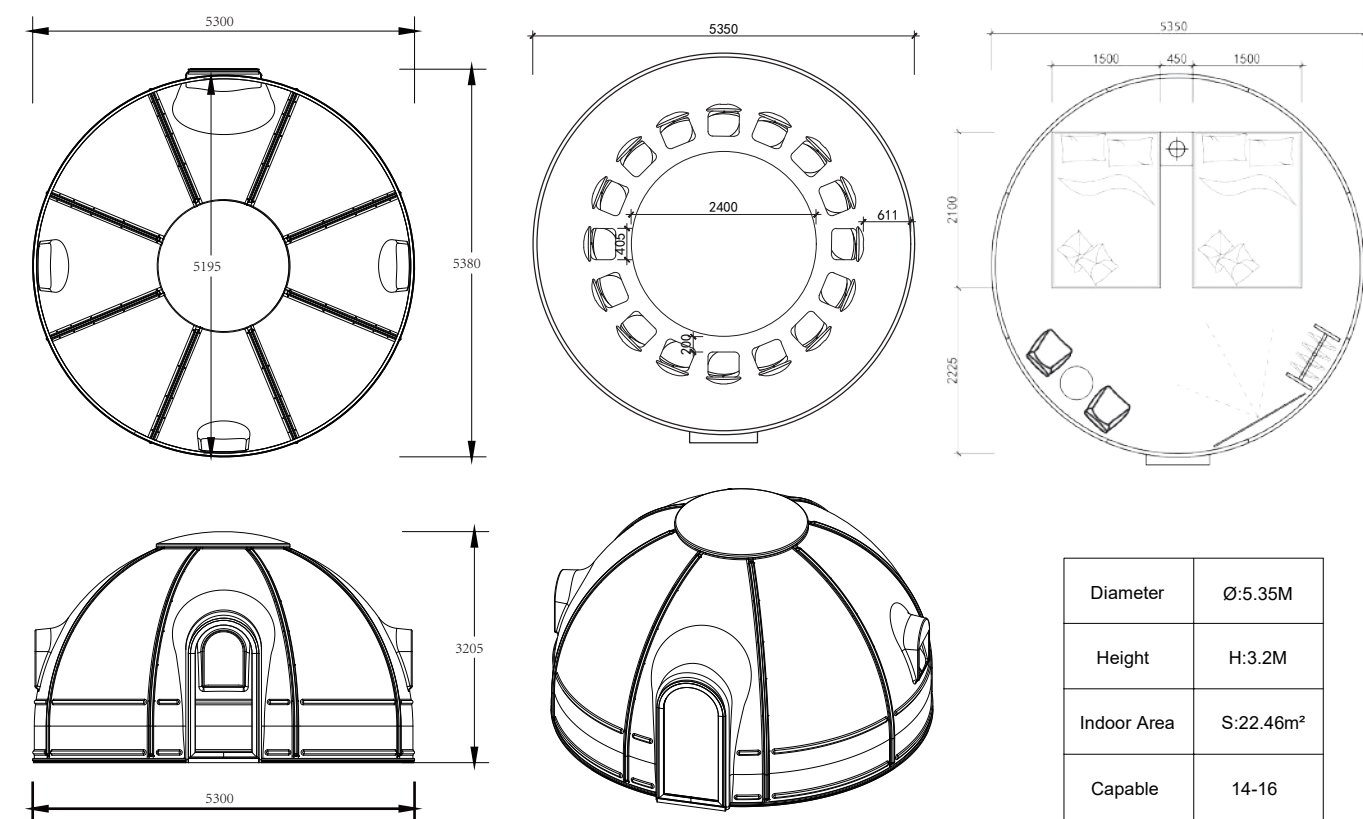
| where elegance meets innovation |

Specifications

Technical Datar		Safety Data	
Diameter	5.35m	Wind Loading	180Km/h
Roof Height	3.2m	Snow Loadingt	40kg/m2
Floor Area	22.46 m ²	impact strength	850J/m <small>About 200-350 times of common glass</small>

Material	
Basement	Aluminum Alloy
Wall Panelt	Polycarbonate solid sheet
Base Surface	Spray powder high-end and elegant
Panel Surface	UV Coated, 10 years warranty
Certifications	B1(China) flame retardant, CE, ISO9001, SGS

Doors/Windows/Options	
Door	Extra Door with screen
Window	Extra Window with screen
Options	Curtain, Led light strip, solar panel etc



Diameter	Ø:5.35M
Height	H:3.2M
Indoor Area	S:22.46m ²
Capable	14-16



6M Diameter Dining Room

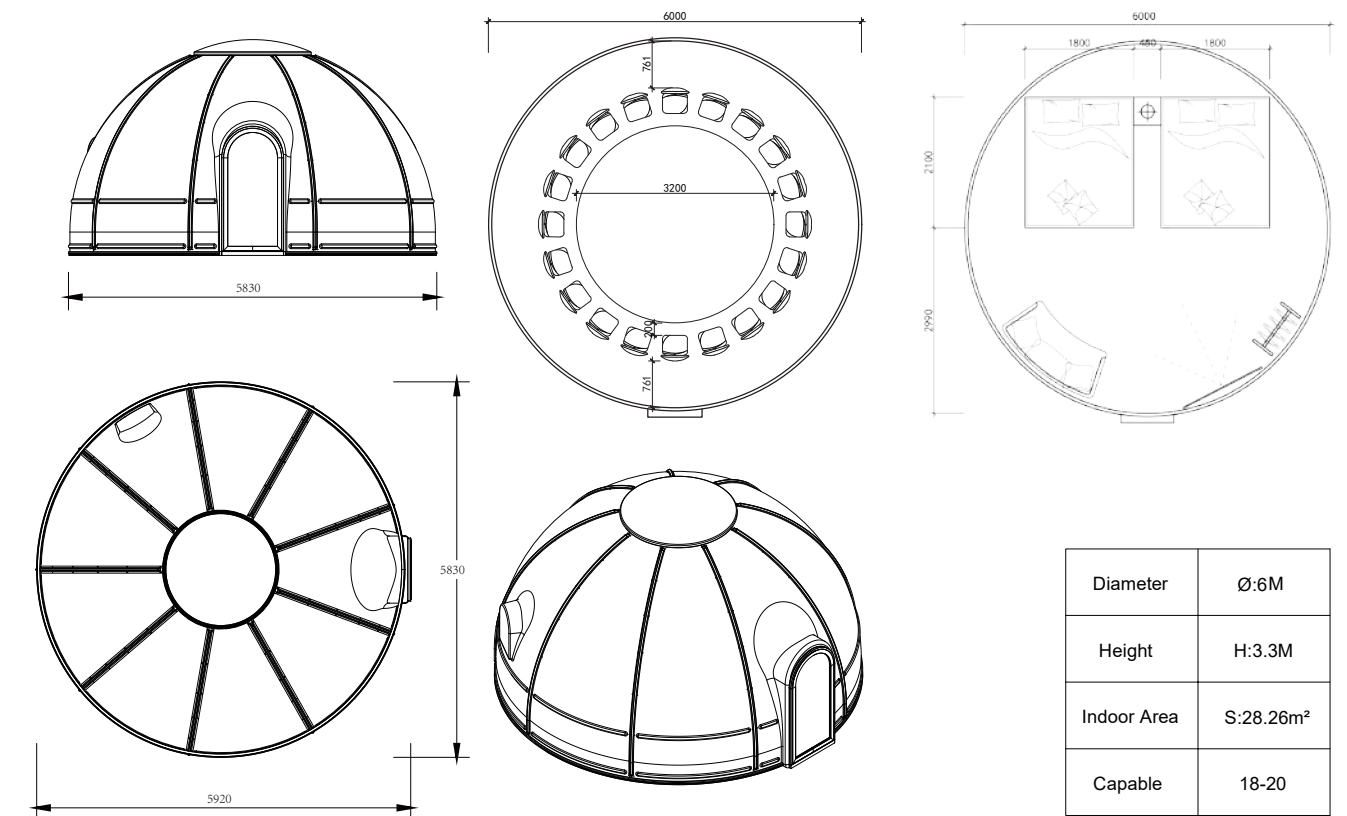
| where elegance meets innovation |

Specifications

Technical Datar		Safety Data	
Diameter	6M	Wind Loading	180Km/h
Roof Height	3.3m	Snow Loadingt	40kg/m2
Floor Area	28.26 m ²	impact strength	850J/m <small>About 200-350 times of common glass</small>

Material	
Basement	Aluminum Alloy
Wall Panelt	Polycarbonate solid sheet
Base Surface	Spray powder high-end and elegant
Panel Surface	UV Coated, 10 years warranty
Certifications	B1(China) flame retardant, CE, ISO9001, SGS

Doors/Windows/Options	
Door	Extra Door with screen
Window	Extra Window with screen
Options	Curtain, Led light strip, solar panel etc





5.95M x 4M Dining Room

| where elegance meets innovation |

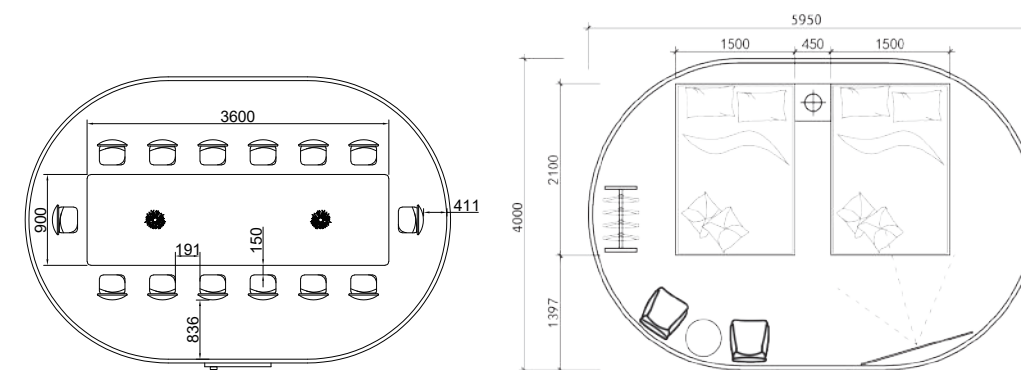
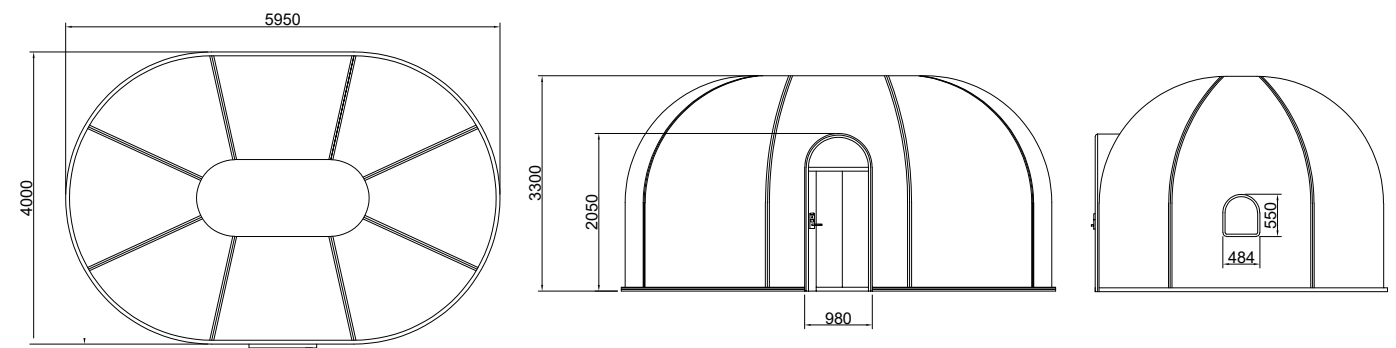
Specifications

Technical Datar	
Specification	5.95mx4m
Roof Height	3m
Floor Area	20.16 m ²

Safety Data	
Wind Loading	180Km/h
Snow Loadingt	40kg/m ²
impact strength	850J/m ² <small>About 200-350 times of common glass</small>

Material	
Basement	Aluminum Alloy
Wall Panelt	Polycarbonate solid sheet
Base Surface	Spray powder high-end and elegant
Panel Surface	UV Coated, 10 years warranty
Certifications	B1(China) flame retardant, CE, ISO9001, SGS

Doors/Windows/Options	
Door	Extra Door with screen
Window	Extra Window with screen
Options	Curtain, Led light strip, solar panel etc



Diameter	L 5.95 M * W 4 M
Height	H:3M
Indoor Area	S:20.16m ²
Capable	10-14



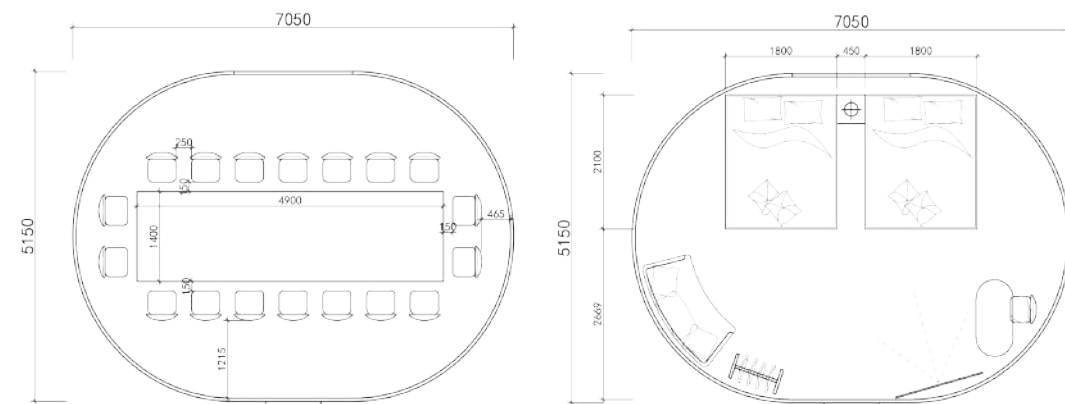
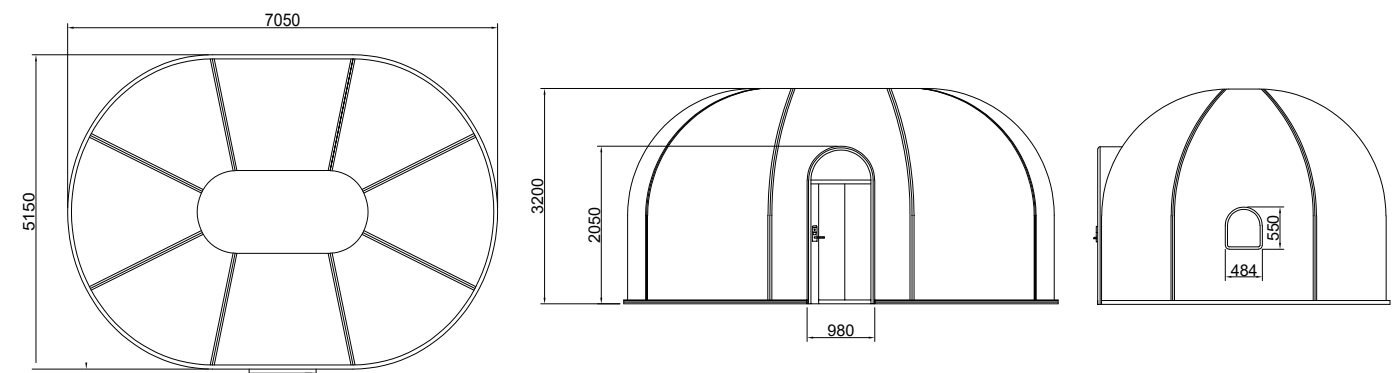
Specifications

Technical Datar	
Diameter	7.05m
Roof Height	3.2m
Floor Area	30.6 m ²

Safety Data	
Wind Loading	180Km/h
Snow Loadingt	40kg/m2
impact strength	850J/m <small>About 200-350 times of common glass</small>

Material	
Basement	Aluminum Alloy
Wall Panelt	Polycarbonate solid sheet
Base Surface	Spray powder high-end and elegant
Panel Surface	UV Coated, 10 years warranty
Certifications	B1(China) flame retardant, CE, ISO9001, SGS

Doors/Windows/Options	
Door	Extra Door with screen
Window	Extra Window with screen
Options	Curtain, Led light strip, solar panel etc



Diameter	L 7.05 M * W 5.15 M
Height	H:3.2M
Indoor Area	S:30.6m ²
Capable	16-18



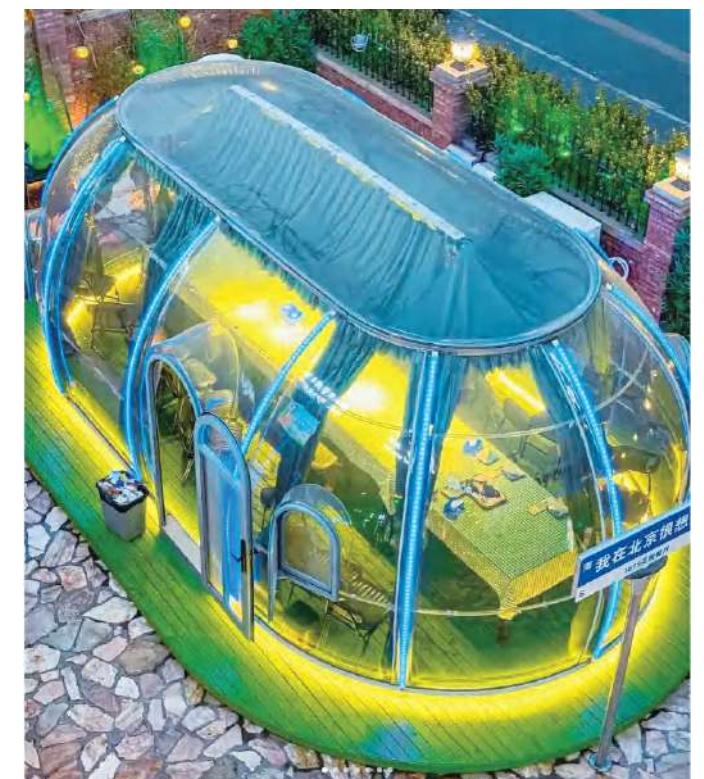
7.05M X 5.15M Dining Room

| where elegance meets innovation |



Scene Display

| where elegance meets innovation |





3.6M+2.8M Combo Dome

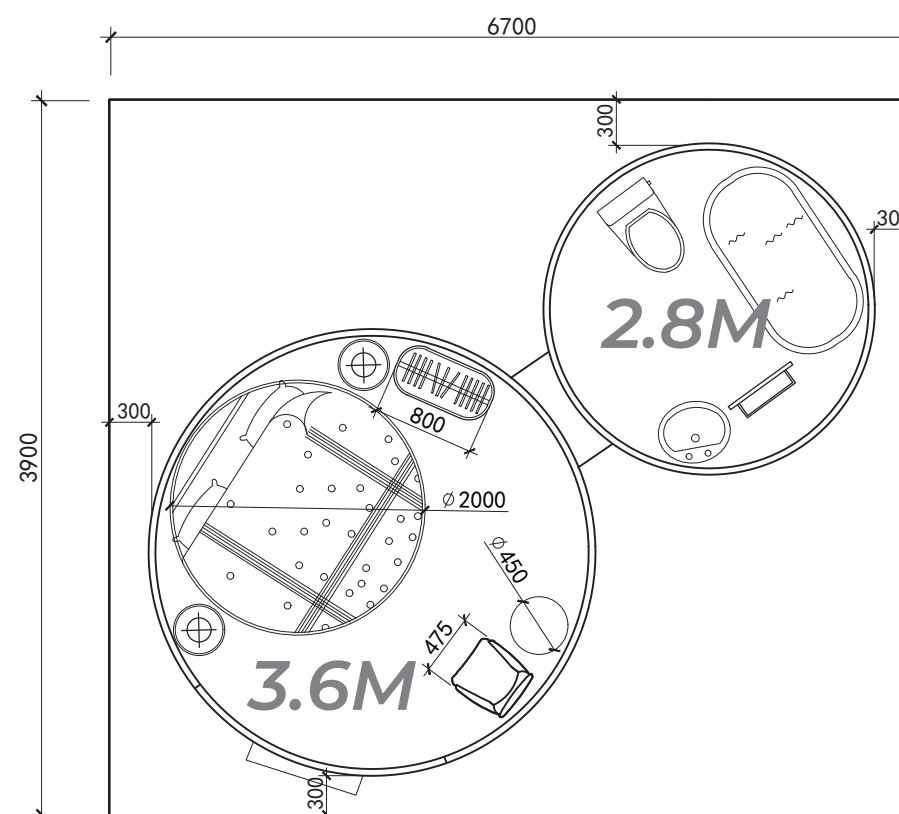
| where elegance meets innovation |

Specifications

Technical Datar		Safety Data	
Diameter	3.6m+2.8m	Wind Loading	180Km/h
Roof Height	2.8m+2.8m	Snow Loadingt	40kg/m2
Floor Area	16.4 m ²	impact strength	850J/m <small>About 200-350 times of common glass</small>

Material	
Basement	Aluminum Alloy
Wall Panelt	Polycarbonate solid sheet
Base Surface	Spray powder high-end and elegant
Panel Surface	UV Coated, 10 years warranty
Certifications	B1(China) flame retardant, CE, ISO9001, SGS

Doors/Windows/Options	
Door	Extra Door with screen
Window	Extra Window with screen
Options	Curtain, Led light strip, solar panel etc



Furniture list
One 2.2-meter round bed with 2 bedside tables
One 80cm long clothes rack
One single sofa with a coffee table

Bathroom list
One 1.3-meter long bathtub
One toilet
One pedestal sink
One 60cm wide shelving unit

Specifications	
Diameter	Ø:3.6M+2.8M
Height	H:2.8M+2.7M
Indoor Area	S:16.4M2



4.2M+2.8M Combo Dome

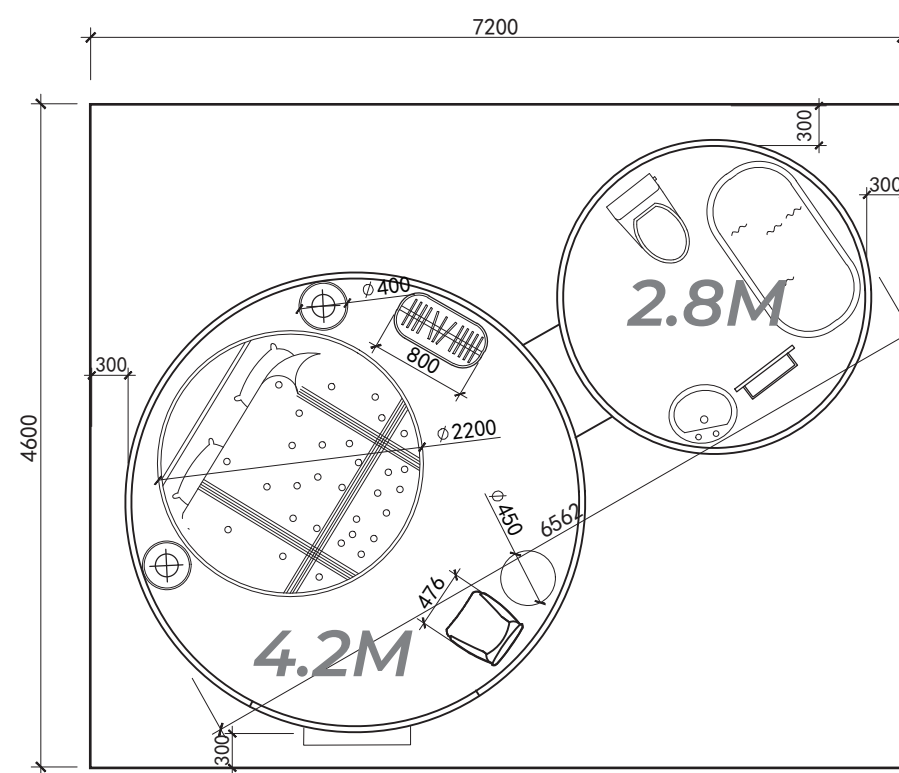
| where elegance meets innovation |

Specifications

Technical Datar		Safety Data	
Diameter	4.2m+2.8m	Wind Loading	180Km/h
Roof Height	3m+2.8m	Snow Loadingt	40kg/m2
Floor Area	20.05 m ²	impact strength	850J/m ² <small>About 200-350 times of common glass</small>

Material	
Basement	Aluminum Alloy
Wall Panelt	Polycarbonate solid sheet
Base Surface	Spray powder high-end and elegant
Panel Surface	UV Coated, 10 years warranty
Certifications	B1(China) flame retardant, CE, ISO9001, SGS

Doors/Windows/Options	
Door	Extra Door with screen
Window	Extra Window with screen
Options	Curtain, Led light strip, solar panel etc



Furniture list
One 2.2-meter round bed with 2 bedside tables
One 80cm long clothes rack
One single sofa with a coffee table

Bathroom list
One 1.3-meter long bathtub
One toilet
One pedestal sink
One 60cm wide shelving unit

Specifications	
Diameter	Ø:4.2M+2.8M
Height	H:3M+2.7M
Indoor Area	S:20.05M ²



4.6M+2.8M Combo Dome

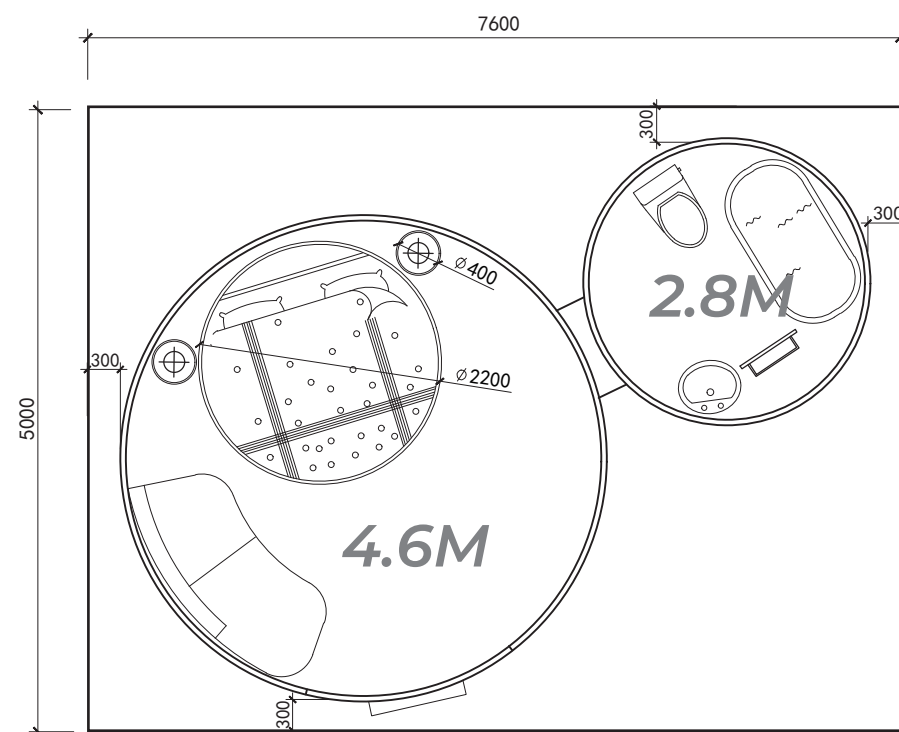
| where elegance meets innovation |

Specifications

Technical Datar		Safety Data	
Diameter	4.6m+2.8m	Wind Loading	180Km/h
Roof Height	3.1m+2.8m	Snow Loadingt	40kg/m2
Floor Area	22.8 m ²	impact strength	850J/m ² <small>About 200-350 times of common glass</small>

Material	
Basement	Aluminum Alloy
Wall Panelt	Polycarbonate solid sheet
Base Surface	Spray powder high-end and elegant
Panel Surface	UV Coated, 10 years warranty
Certifications	B1(China) flame retardant, CE, ISO9001, SGS

Doors/Windows/Options	
Door	Extra Door with screen
Window	Extra Window with screen
Options	Curtain, Led light strip, solar panel etc



Furniture list
One 2.2-meter round bed with 2 bedside tables
One 80cm long clothes rack
One single sofa with a coffee table

Bathroom list
One 1.3-meter long bathtub
One toilet
One pedestal sink
One 60cm wide shelving unit

Specifications	
Diameter	Ø:4.6M+2.8M
Height	H:3.1M+2.7M
Indoor Area	S:22.8M ²



5.35M+2.8M Combo Dome

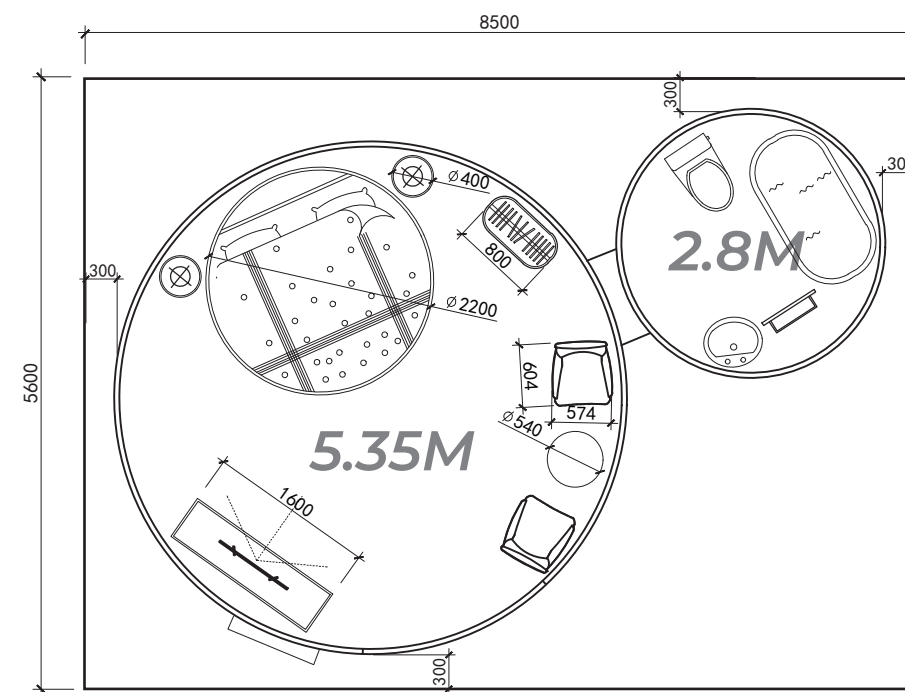
| where elegance meets innovation |

Specifications

Technical Datar		Safety Data	
Diameter	5.35m+2.8m	Wind Loading	180Km/h
Roof Height	3.2m+2.8m	Snow Loadingt	40kg/m2
Floor Area	28.2 m ²	impact strength	850J/m ² <small>About 200-350 times of common glass</small>

Material	
Basement	Aluminum Alloy
Wall Panelt	Polycarbonate solid sheet
Base Surface	Spray powder high-end and elegant
Panel Surface	UV Coated, 10 years warranty
Certifications	B1(China) flame retardant, CE, ISO9001, SGS

Doors/Windows/Options	
Door	Extra Door with screen
Window	Extra Window with screen
Options	Curtain, Led light strip, solar panel etc



Furniture list
One 2.2-meter round bed with 2 bedside tables
One 80cm long clothes rack
One single sofa with a coffee table

Bathroom list
One 1.3-meter long bathtub
One toilet
One pedestal sink
One 60cm wide shelving unit

Specifications	
Diameter	Ø:5.35M+2.8M
Height	H:3.2M+2.7M
Indoor Area	S:28.2M ²



6M+2.8M Combo Dome

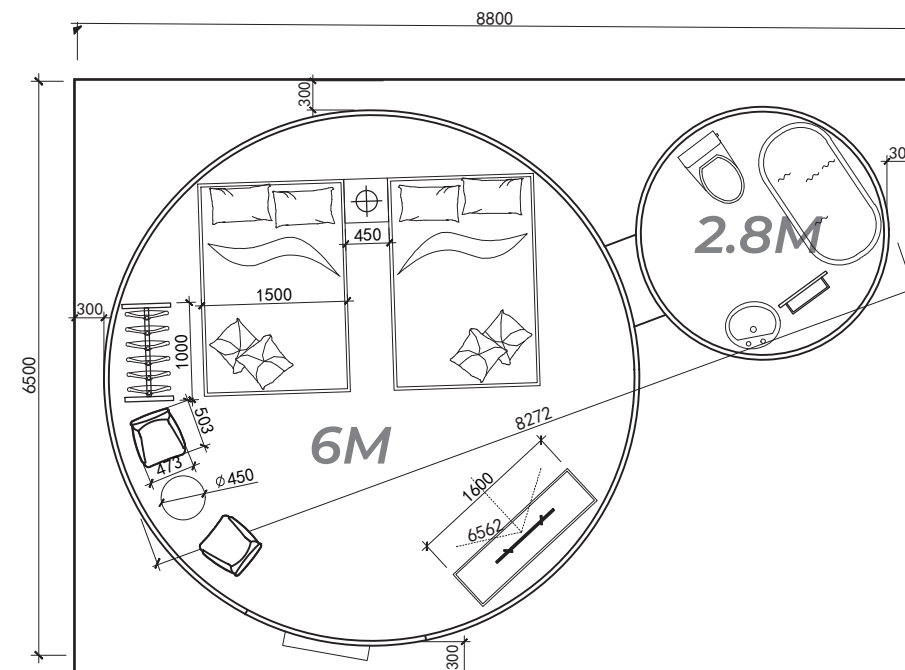
| where elegance meets innovation |

Specifications

Technical Datar		Safety Data	
Diameter	6m+2.8m	Wind Loading	180Km/h
Roof Height	3.3m+2.8m	Snow Loadingt	40kg/m2
Floor Area	32.9 m ²	impact strength	850J/m <small>About 200-350 times of common glass</small>

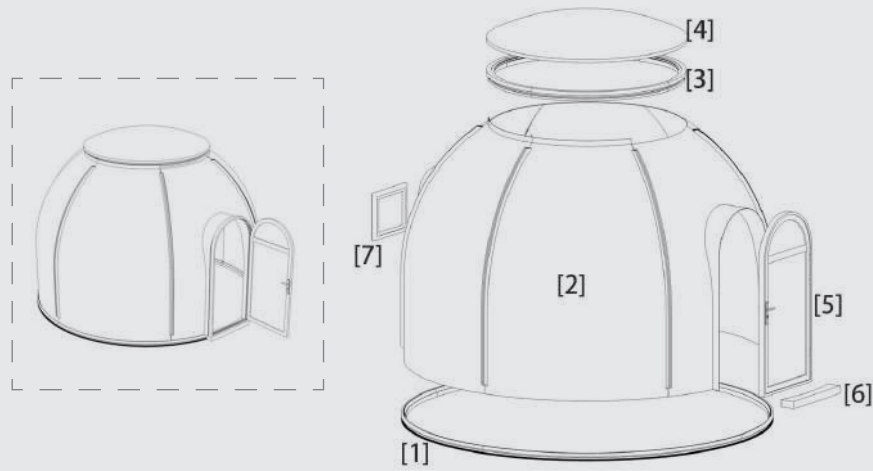
Material	
Basement	Aluminum Alloy
Wall Panelt	Polycarbonate solid sheet
Base Surface	Spray powder high-end and elegant
Panel Surface	UV Coated, 10 years warranty
Certifications	B1(China) flame retardant, CE, ISO9001, SGS

Doors/Windows/Options	
Door	Extra Door with screen
Window	Extra Window with screen
Options	Curtain, Led light strip, solar panel etc



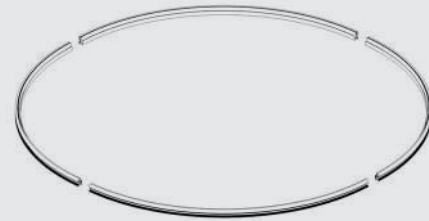
Furniture list	
One 2.2-meter round bed with 2 bedside tables	
One 80cm long clothes rack	
One single sofa with a coffee table	
Bathroom list	
One 1.3-meter long bathtub	
One toilet	
One pedestal sink	
One 60cm wide shelving unit	
Specifications	
Diameter	Ø:6M+2.8M
Height	H:3.3M+2.7M
Indoor Area	S:32.9M ²

PC Dome Room Installation Manual

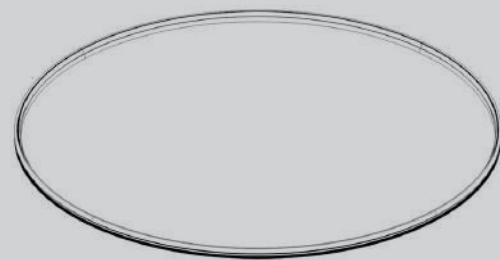
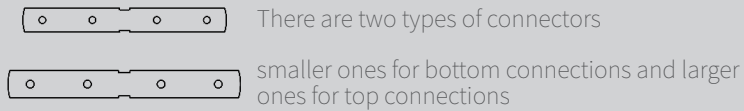


- [1] Bottom aluminum profiles assembly
- [2] Transparent PC side panel assembly
- [3] Top aluminum profiles assembly
- [4] Top transparent PC pane
- [5] Aluminum alloy door installation
- [6] Stainless steel door threshold installation
- [7] Aluminum alloy window installation

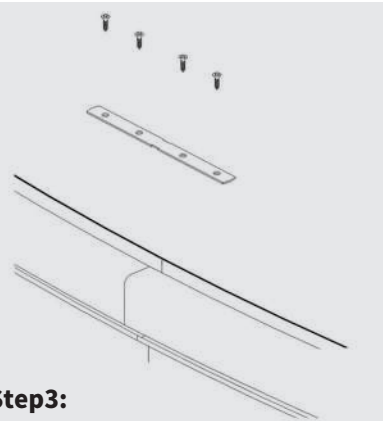
Installation Steps



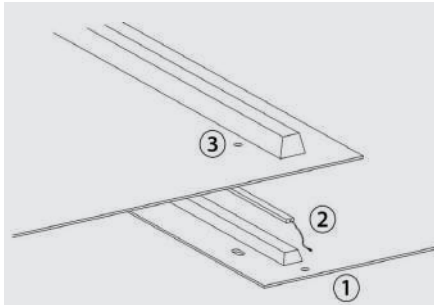
Step1:
Lay the bottom aluminum profiles in a circular pattern on the ground



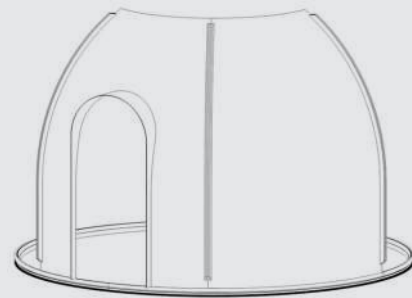
Step2:
Connect the bottom aluminum profiles to form a circular fit



Step3:
Use the smaller connectors to secure and screw the aluminum profiles at the connection points

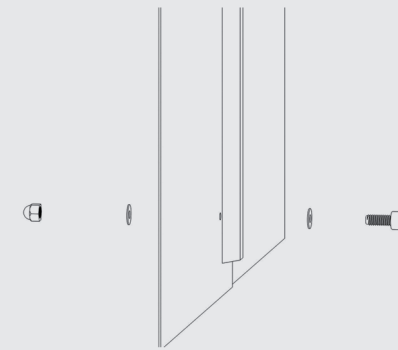


Step4:
Lay the transparent PC panels on the ground, with the oval hole placed at the bottom. Peel off the adhesive backing of the side light strip and place it flat. Thread the signal wire of the light strip through the circular hole, with the circular hole PC panel placed on top.

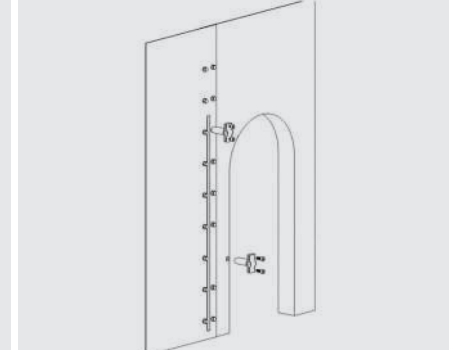


Step5:
After sticking, insert the PC panels vertically into the grooves of the bottom profiles

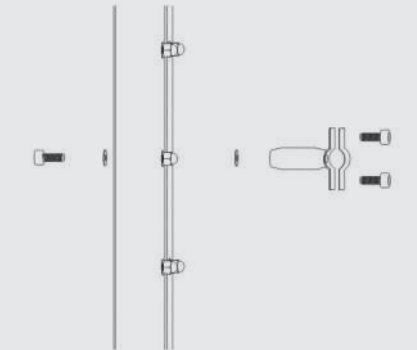
PC Dome Room Installation Manual



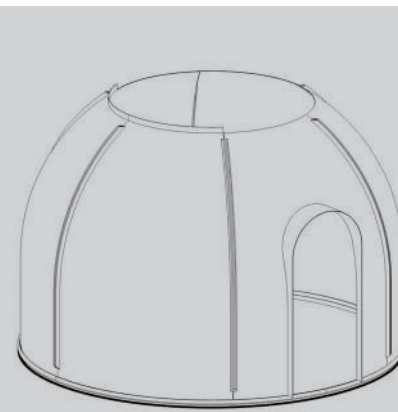
Step6:
Align two adjacent PC panels with the holes and secure them with hex screws, washers, and nuts. Fix the other PC panels with screws following the same method.



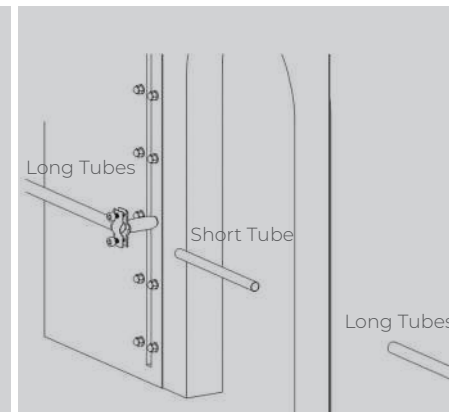
Step7:
Install the lower curtain rod fittings from the third hole from the bottom, and install the upper curtain rod fittings slightly higher than the door holes.



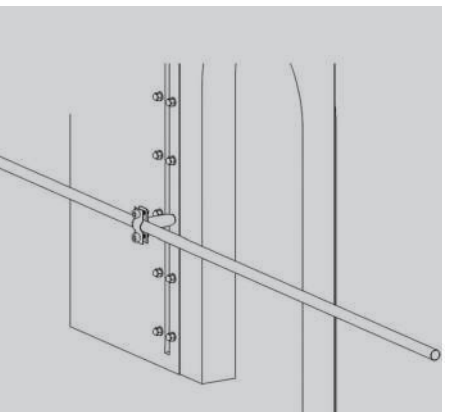
Step8:
Align the curtain rod fittings with the holes and tighten them with fittings, washers, and nuts.



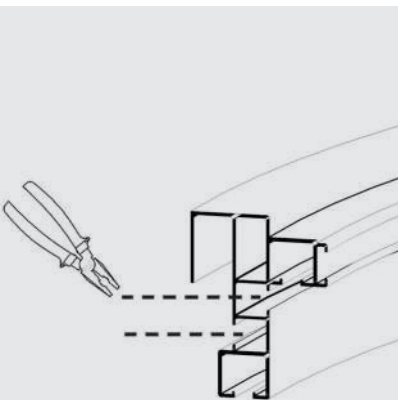
Step9:
Insert all side panels into the bottom aluminum alloy slots and secure them with screws.



Step10:
Insert one end of the curtain tube into the fittings and connect it with a short tube.



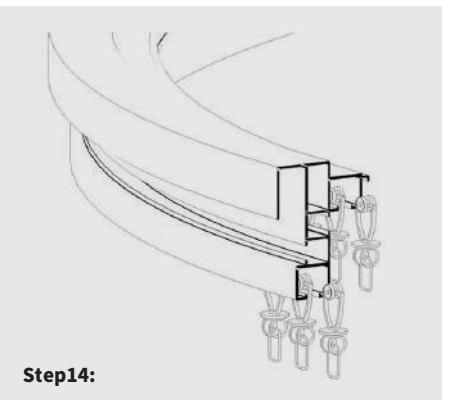
Step11:
Then insert the other end of the curtain tube and secure it with screws.



Step12:
Remove the aluminum strip blockers from the two light grooves of the top aluminum profiles using pliers.



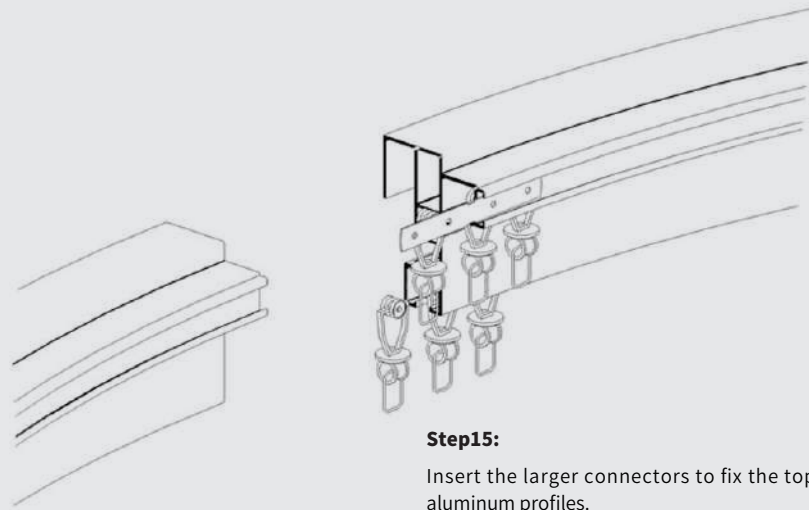
Step13:
Lay two sections of aluminum profiles in a circular pattern on the ground.



Step14:
Insert 55 top curtain pulleys into the inner curtain pulley track, and X top curtain pulleys into the outer curtain pulley track (the specific quantity varies depending on the size of the dome room, please consult the sales customer service).

PC Dome Room Installation Manual

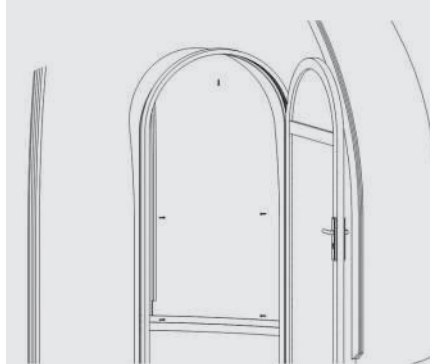
PC Dome Room Installation Manual



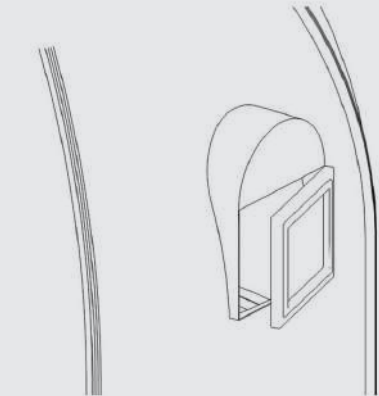
Step15:
Insert the larger connectors to fix the top aluminum profiles.



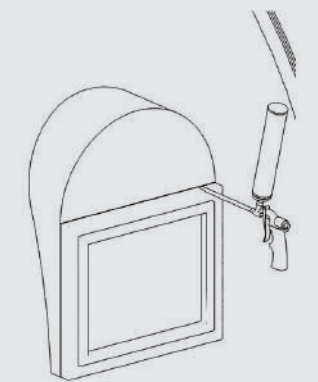
Step16:
After threading the curtain pulleys, silicone connectors tighten the flathead screws to secure the top aluminum profiles.



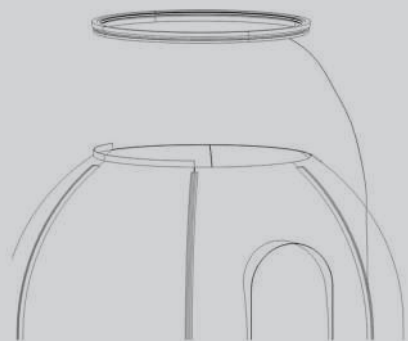
Step22:
After the door frame is in position, open the door and screw in multiple self-tapping screws (top and left and right) to fix the door frame and PC panel.



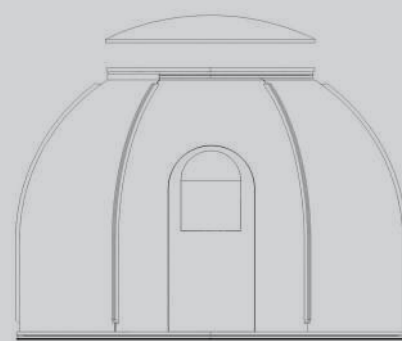
Step23:
For window installation, first insert one side of the window into the groove, then use the flexibility of the panel to insert the other side.



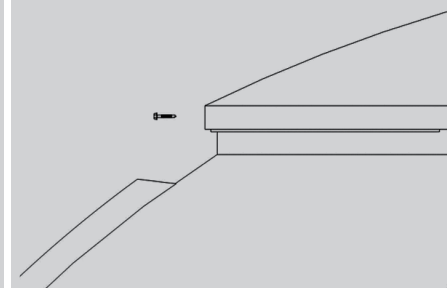
Step24:
After leveling, seal and fix with neutral glass glue.



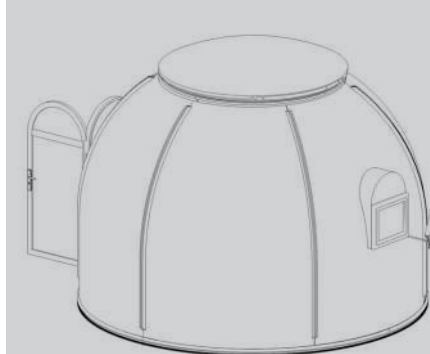
Step17:
Fit the top aluminum profiles into the PC panel slots.



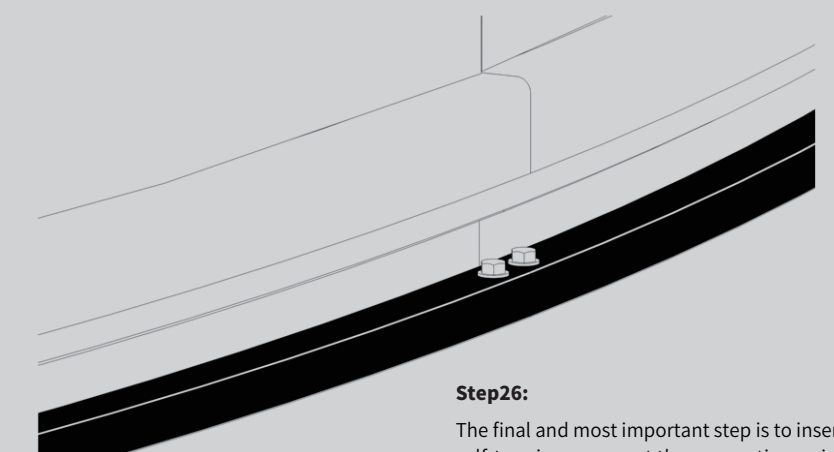
Step18:
cover the PC dome.



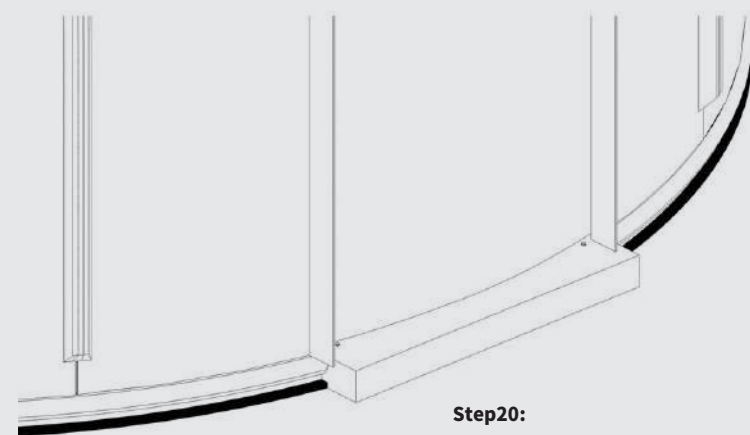
Step19:
Install the top PC panel and drill four 1.5-inch dovetail screws from the outside to the inside, screwing through the dome PC panel, top aluminum profile, and side PC panels. Be careful to avoid the light strip.



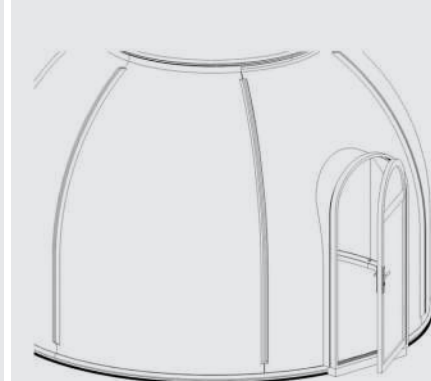
Step25:
The installation is now complete.



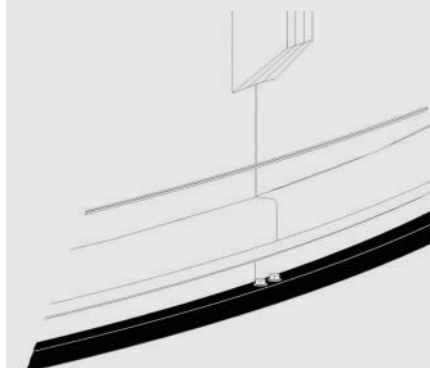
Step26:
The final and most important step is to insert self-tapping screws at the connection point of the bottom aluminum profile and the floor to fix the aluminum profile and the floor



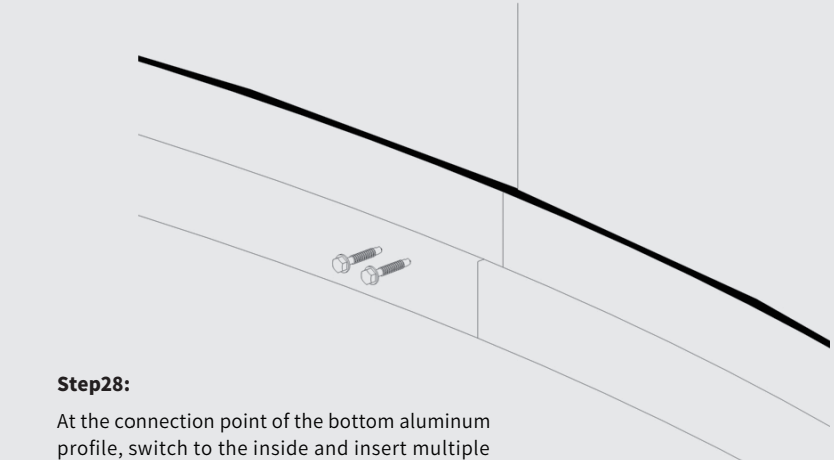
Step20:
Place the stainless steel door threshold in position and screw it in place with self-tapping screws.



Step21:
Insert the door PC panel into the aluminum alloy door groove.



Step27:
Insert a waterproof rubber strip between the outside PC panel and the bottom aluminum profile.



Step28:
At the connection point of the bottom aluminum profile, switch to the inside and insert multiple self-tapping screws to fix the aluminum profile and PC panel.